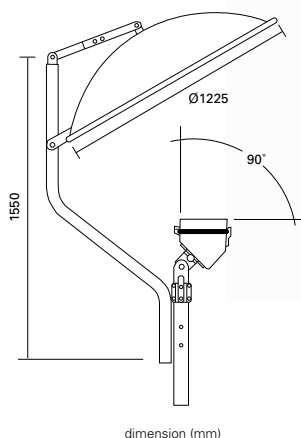


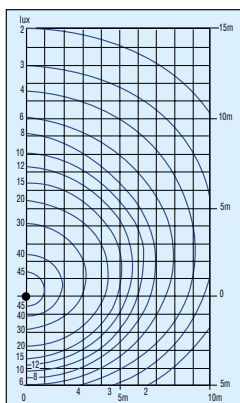


## moon

The egeo/N2 unit with an SN60 tiltable joint is a versatile and powerful whole that lends itself to system applications which are strikingly original and meaningful from a scenicarchitectural standpoint. The one shown here, designed by architect Carlo Bartoli, produces a uniquely soft and refined lighting effect while making in daytime an aesthetically pleasing and distinctive addition to any setting. It can be used for different kind of applications such as, historical and monumental centres, residential and green areas, walkways and promenades, commercial buildings and parkings, private gardens, terraces, swimming pools etc., obtaining a common result: an effective but extremely soft illumination perfectly diffused, comfortable and absolutely unglaring, of moderate consumption and great elegance.



dimension (mm)



### D02/KIT MOON egeo/N2 system with moon diffuser

#### Indirect lighting system delivered with:

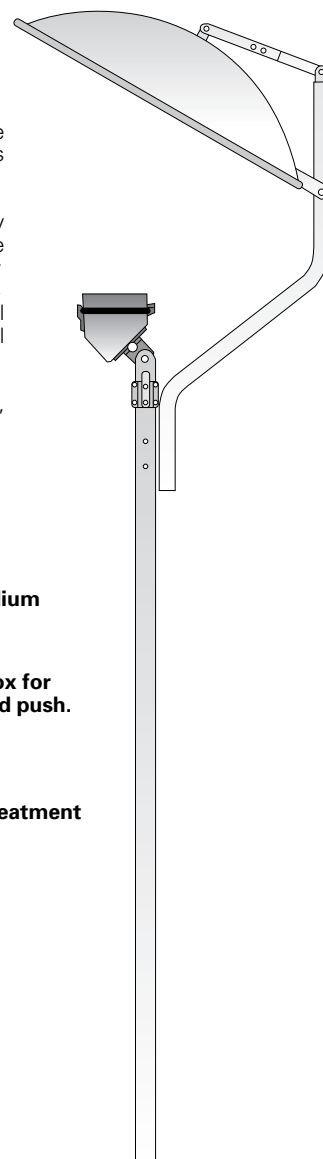
- Structure with white colour diffuser.
- One fixture D02/R-MH150 for metal halide or high pressure sodium lamps 150W-Rx7s - 13500/15000 lumen.
- One adjustable joint SN60.
- One cone shaped round section pole complete with junction box for sectioning a line cable 4x16mm<sup>2</sup> designed to withstand the wind push.

#### FEATURES

- Bearing frame: welded tubular steel.
- Painting: with powders after phosphatisation and kataforesis treatment black colour.
- Hidro/par: directional heat-resistant pressed glass PAR38 lamp concentrated light - intensive beam.
- Height above ground level 4,5m.

#### CHARACTERISTICS

- Optical assembly : IP 65
- Ballast Compartment : IP 65
- Electrical Insulation : Class I
- Voltage : 220V~240V
- Wattage : 150W (Rx7s)
- Dimensions (mm) : ø1225 x 1550(H)
- Approx. Net weight : 107 kg



Model No.	Description	Voltage	Frequency	Lamp
CTCP0027	MOON 70W MH C/W gear & lamp	220V-240V	50-60Hz	Rx7s
CTCP0026	MOON 150W MH C/W gear & lamp	220V-240V	50-60Hz	Rx7s

# ordering information