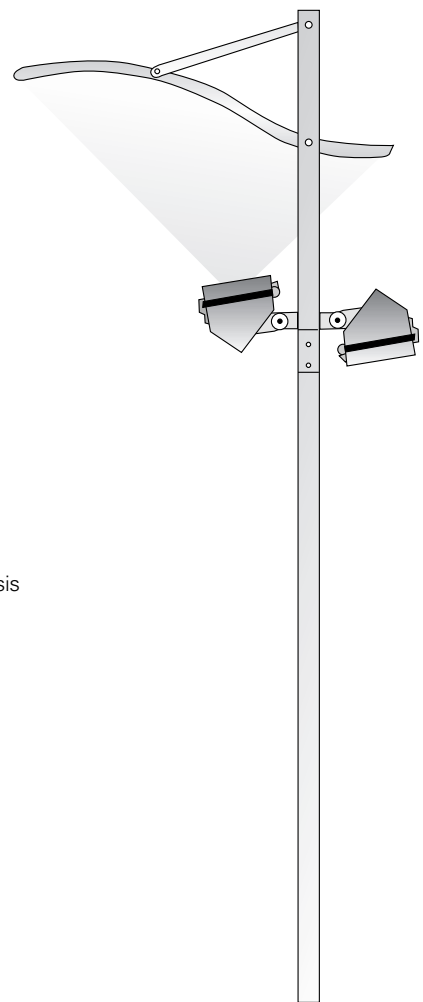
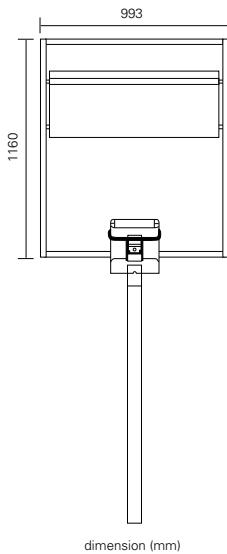




### regatta

Refined and original lighting structure featuring reflected light thus creating "magic" thru a perfect diffused illumination. It is totally glare-free because the light is given by the big white sail which is an elegant diffuser. The single sail system can use a second floodlight with downward light emission to increase lighting illumination for parking or street lighting. The system is ideal for architectural and urban applications wherein not only technics and efficiency is needed but aesthetics and visual comfort as well.

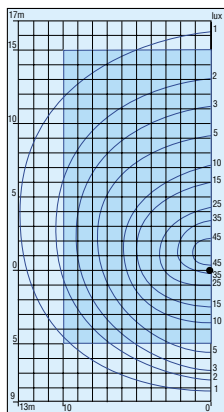


#### FEATURES

- Bearing frame: welded tubular steel.
- Painting: with powders after phosphatisation and kataforesis treatment.
- Diffusing element: white colour - fiber glass reinforced polyester resins.
- Stainless steel core.
- Tiltable bracket: WTB, die-cast in light alloy.
- Height above ground level 4,5m.

#### CHARACTERISTICS

- Optical assembly : IP 65
- Ballast Compartment : IP 65
- Electrical Insulation : Class I
- Voltage : 220V~240V
- Wattage : 70W~150W
- Dimensions (mm) : 993(L) x 1160(H)
- Approx. Net weight : 8 kg



Model No.	Description	Voltage	Frequency	Lamp
GPCP0595	REGATTA 70W MH C/W Control Gear & Lamp	220V-240V	50-60Hz	Rx7s
GPCP0596	REGATTA 150W MH C/W Control Gear & Lamp	220V-240V	50-60Hz	Rx7s
GPCP0597	REGATTA 150W HPS C/W Control Gear & Lamp	220V-240V	50-60Hz	Rx7s
GPCP0598	REGATTA 70W HPS C/W Control Gear & Lamp	220V-240V	50-60Hz	Rx7s

ordering information