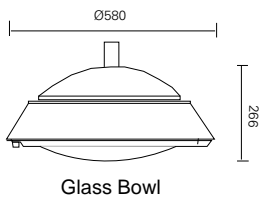
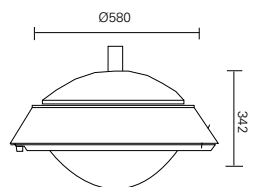




space 250 (top)



Glass Bowl



Acrylic Bowl

dimension (mm)

ADVANTAGES

- Architectural stylish appearance
- Fully aluminium. Choice of colours
- High performance and easy maintenance

APPLICATION

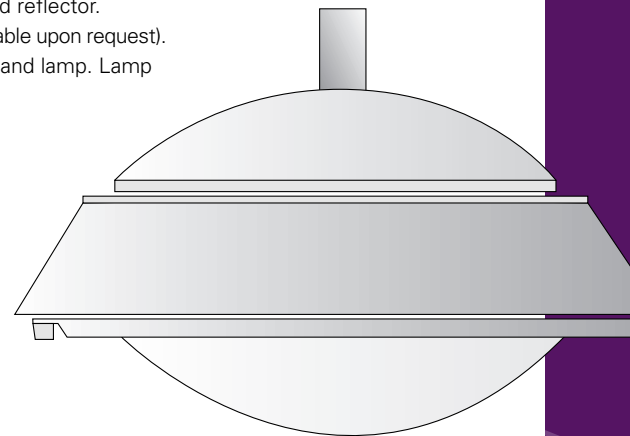
- Streets & parking areas
- Architectural, landscape & amenity
- Suggested mounting height 6~12 meters.

FEATURES

- Enclosed luminaire for top mounting.
- Die cast aluminium housing top and bottom. Round canopy with ring make stylish appearance. Finished with epoxy powder paint.
- Ballast components mounted on a removable gear tray for safety and easy maintenance.
- Silicon sealed optic – Tight seal 66.
- Anodised finish on hydroformed aluminium faceted reflector.
- Tempered clear curve glass. Acrylic cover bowl (available upon request).
- Filter optical. Easy access to ballast compartment and lamp. Lamp replacement without tools.
- Adjustable lamp socket – Standard E40.
- Adjustable spigot for 42 ~ 60mm diameter.

CHARACTERISTICS

- Optical assembly : IP 65
IP 66 (on request)
- Ballast Compartment : IP 65
- Electrical Insulation : Class I
Class II (on request)
- Voltage : 220V/240V
- Wattage : 70W ~ 250W
- Lamp Type : HPS & MH
- Approx. Net weight : 11 ~ 13kg



Model No.	Description	Voltage	Frequency	Lamp
GPCP0029	SPACE (TOP) 70W HPS C/W Control Gear & Lamp	220V-240V	50-60Hz	E27
GPCP0030	SPACE (TOP) 100W HPS C/W Control Gear & Lamp	220V-240V	50-60Hz	E27
GPCP0031	SPACE (TOP) 150W HPS C/W Control Gear & Lamp	220V-240V	50-60Hz	E27
GPCP0032	SPACE (TOP) 250W HPS C/W Control Gear & Lamp	220V-240V	50-60Hz	E27
GPCP0033	SPACE (TOP) 70W M/H C/W Control Gear & Lamp	220V-240V	50-60Hz	E27
GPCP0034	SPACE (TOP) 150W M/H C/W Control Gear & Lamp	220V-240V	50-60Hz	E27
GPCP0035	SPACE (TOP) 250W M/H C/W Control Gear & Lamp	220V-240V	50-60Hz	E27

ordering information

ARCHITECTURAL