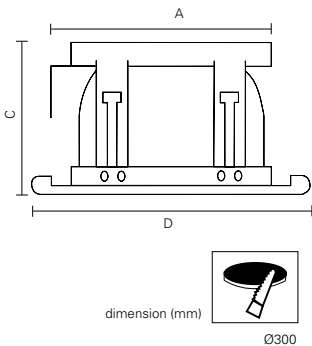




cosmo maxi 271

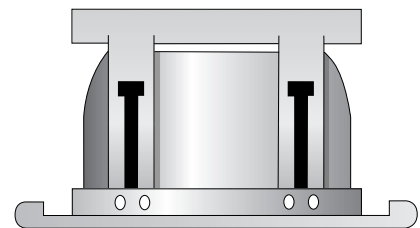


CONSTRUCTION

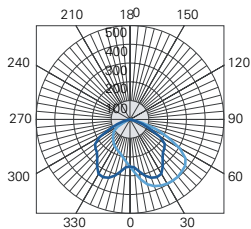
Downlight for Horizontal mount compact Fluorescent lamps with cross louvre.

CHARACTERISTICS

- Ceiling Rim : The rim is made of sheet steel surface finished with white powder coating
- Reflector : High polished aluminium coated by vapour deposition
- Housing : The body is made of zinc-coated sheet. The springs are made of a hardened zinc-coated steel tape
- Lamp Holder : G x 24d2 - VDE
G x 24d3 - VDE
- Lamp : 1x TC-D, 2 x TC-D
- Wattage : 18W ~ 42W
- Voltage : 220V/240V 50Hz
- Insulation Class : Class 1
- Index of Protection : IP 20
- Net Weight : 1.10 kg



Power (watt)	A x D x C (mm)
2 x 32	320 x 320 x 145
2 x 42	320 x 320 x 145
2 x 32	320 x 320 x 145



Model No.	Description	Voltage	Frequency	Lamp
GPCP0359	COSMO MAXI 271 2x32 C/W Gear & Lamp	220-240V	50-60Hz	Gx24d2
GPCP0360	COSMO MAXI 271 2x42 C/W Gear & Lamp	220-240V	50-60Hz	Gx24d2
GPCP0361	COSMO MAXI 271 3x32 C/W Gear & Lamp	220-240V	50-60Hz	Gx24d3

ordering information