

### aquaris 4

#### ADVANTAGES

- High performance, easy maintenance
- Stainless steel, anti corrosion

#### APPLICATION

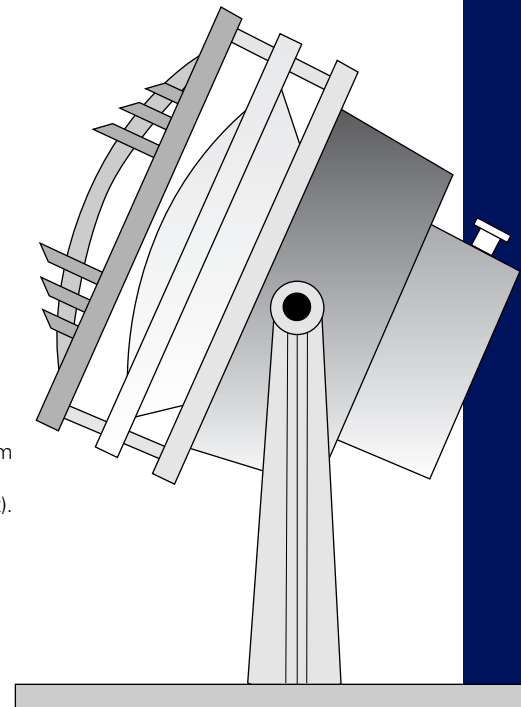
- Waterfall, fountain, big basin, pool, ponds
- Shipyard, water reservoirs, overhead bridge

#### FEATURES

- Enclosed luminaire for underwater lighting.
- Stainless steel housing and frame. Corrosion resistance.
- Fastener with stainless steel or silicon bronze.
- Control gear mounted on removable tray in die-cast aluminium box (separately).
- Low wattage (12V) with colour lamp (available upon request).

#### CHARACTERISTICS

- Optical assembly : IP 68
- Ballast Compartment : IP 65
- Electrical Insulation : Class 1
- Voltage : 220V~240V~12V
- Wattage : 50W~300W
- Dimensions (mm) : 218(L) x 210(W)
- Approx. Net weight : 1~2 kg



Model No.	Description	Voltage	Frequency	Lamp
GPL00094	GRUPPE AQUARIS 4 50W - 300W	220-240V	50-60Hz	E27

ordering information