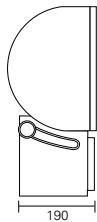
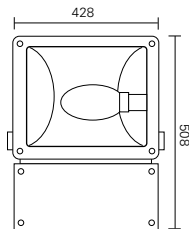


### ad 40



dimension (mm)

#### ADVANTAGES

- Architectural stylish appearance
- Fully aluminium and glass
- High performance
- Easy maintenance

#### APPLICATION

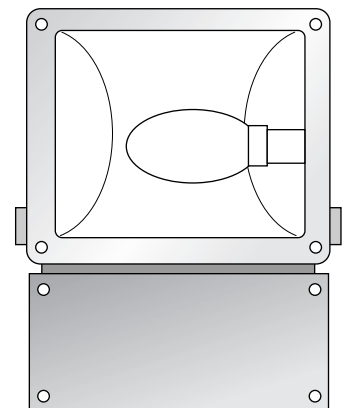
- Monument, building, security
- Garden, signage, column, park, avenue
- Architectural and landscape

#### FEATURES

- Dual-purpose adjustable area light fixtures are versatile.
- Wall mount them with our unique wall mount features, or use our extended mounting arms for pole mounting.
- Distinctive housing swivels from 0 to 30 degrees, allowing light to be aimed where it is needed.
- Angle indicator at adjustment points.
- Toolless entry features for easy relamping.
- Full range of optics for multipurpose applications.
- Die-cast aluminium housing, front frames and integral gear trays / ballast boxes and include clear flat tempered glass lenses.
- Finished with a chromate conversion coating and textured powdercoat finish for durability.

#### CHARACTERISTICS

- Optical assembly : IP 65
- Ballast Compartment : IP 65
- Electrical Insulation : Class I
- Voltage : 220V/240V
- Wattage : 250W ~ 400W
- Lamp type : M/H, HPSV
- Approx. Net weight : 11kg



Model No.	Description	Voltage	Frequency	Lamp
GPCP0792	AD40 250W M/H C/W Control Gear & Lamp	220V-240V	50-60Hz	E40
GPCP0793	AD40 400W M/H C/W Control Gear & Lamp	220V-240V	50-60Hz	E40
GPCP0794	AD40 250W HPS C/W Control Gear & Lamp	220V-240V	50-60Hz	E40
GPCP0795	AD40 400W HPS C/W Control Gear & Lamp	220V-240V	50-60Hz	E40

# ordering information