



**sun**

**ADVANTAGES**

- Compact, high efficiency & easy maintenance
- Die-cast aluminium

**APPLICATION**

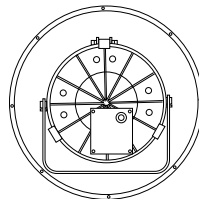
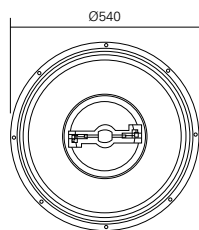
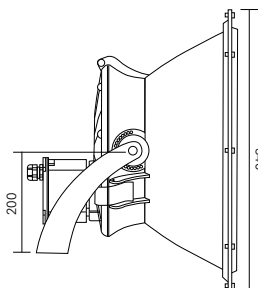
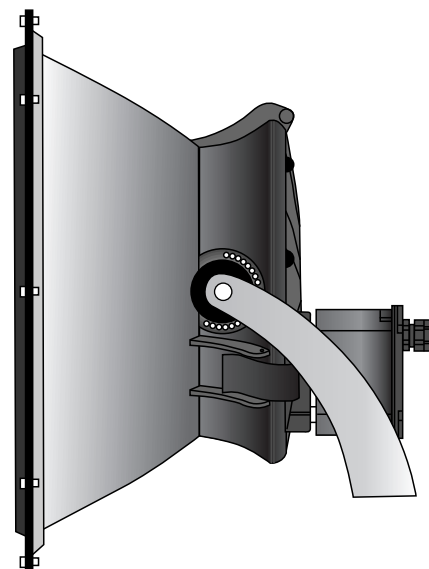
- Sport Field, indoor area, large area, airport aprons
- Monumental, building, recreation, stadium

**FEATURES**

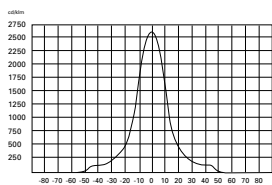
- Die cast aluminium housing with cooling fins.
- Finished with epoxy powder upon phosphochromate treatment. Standard colour - Grey.
- Resistant to corrosive environment.
- High reflectance, anodised and polished reflector attach with housing.
- Tempered flat glass, resistant to thermal shock and impact. It permanently sealed and gasketed in a cast frame.
- Built-in ignitor. Rear re-lamping door with hand-turn, without altering position corrosion resistant fasteners.
- Provides narrow, medium and wide beam photometric distribution.
- Optional accessories for internal glare / spill light control arc cut off skirt.
- Hot instant restart system available upon request.

**CHARACTERISTICS**

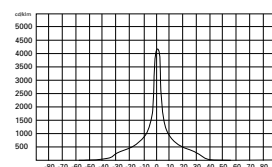
- Optical assembly : IP 65
- Ballast Compartment : IP 65
- Electrical Insulation : Class 1
- Voltage : 220V~240V / 380V 50/60 Hz
- Wattage : 2000W
- Lamp type : M/H (double ended lamp)
- Dimensions (mm) : 500(L) x 300(W) x 510(H)



dimension (mm)



Sun Diff



Sun Semiconc

Model No.	Description	Voltage	Frequency	Lamp
GPCP0860	SUN 1000W MH C/W Control Gear & Lamp	220V-240V	50-60Hz	CAVO
GPCP0861	SUN 2000W MH C/W Control Gear & Lamp	380V	50-60Hz	CAVO

ordering information