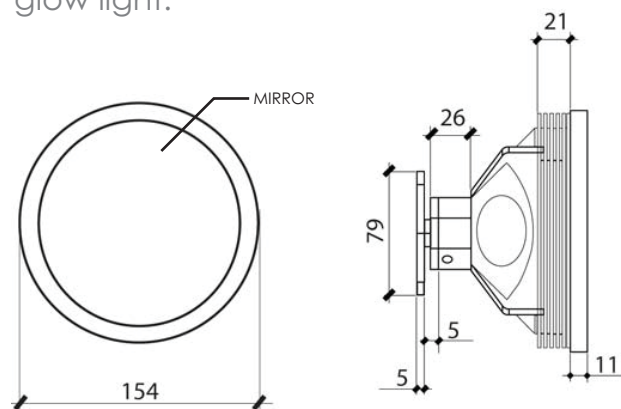




amenity LEDIA



The Ledia is a wall mirror LED luminaire which has a very compact design with mirror front & a special silhouette lighting effect. It has a discrete design made of machine polished trim plate, black anodized aluminum housing with frosted glass to create a wide glow light.



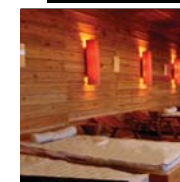
ledia - - -

SOURCE	LED
LUMENS	250~400
LAMPLIFE	50,000 HRS
INPUT VOLTAGE	110~240VAC
OPERATING TEMP	-10°~60°
PROTECTION RATING	IP66

COLOR CODE	COLOR	BEAM ANGLE	POWER (WATTS)	PROJECTION DISTANCE	HOUSING DESCRIPTION	GEAR/CONTROLS	SIZE (MM)	SCHEMATIC DIAGRAM
WARM	3000K	30°	4 X 5W	N.A.	BLACK ANODIZED ALUMINUM	REMOTE DRIVER + DMX DECODER (DMX CONTROLLABLE)	LENGTH	see Appendix
COOL	5500K						154.0 Ø	
ORED	RED						WIDTH	
OGRN	GREEN						HEIGHT	
OBLU	BLUE						120.0	
ORGB	RGB							

**The company is constantly developing and improving its products. All descriptions, illustrations, and specifications mentioned present only general particulars and shall not form any part of any contract. The right is reserved to change specifications without prior notice.

**FILL UP ORDERING REFERENCE ACCORDINGLY > example: NAME - - -



1
2
3
4
5
6
7
APPLICATION COLOR CODE