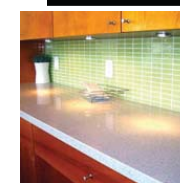
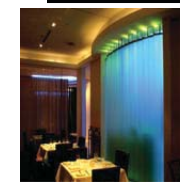
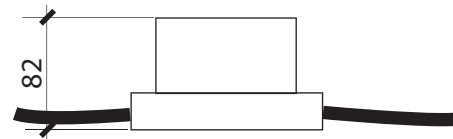
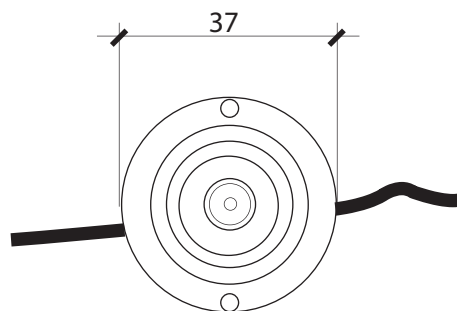




# downlight CHAMI

The Chami is designed to meet professional needs of simple and compact spotlight requiring absolute waterproof qualities. The totally sealed spotlight brings reliable simplicity into challenging applications such as outdoor, spa and pool lighting.



- 1
  - 2
  - 3
  - 4
  - 5
  - 6
  - 7
- APPLICATION COLOR CODE

chami -     -    -

<b>SOURCE</b>	LED
<b>LUMENS</b>	50
<b>LAMPLIFE</b>	50,000 HRS
<b>INPUT VOLTAGE</b>	350mA
<b>OPERATING TEMP</b>	-20°~50°
<b>PROTECTION RATING</b>	IP68

COLOR CODE	COLOR	BEAM ANGLE	POWER (WATTS)	PROJECTION DISTANCE	HOUSING DESCRIPTION	GEAR/CONTROLS	SIZE (MM)	SCHEMATIC DIAGRAM
WARM	3000K	10° 20° 30° 50°	1 X 1W	N.A.	DIE CAST ALUMINUM BODY	REMOTE DRIVER + DMX DECODER (DMX CONTROLLABLE)	LENGTH	see Appendix
COOL	5500K						37.0 Ø	
ORED	RED						WIDTH	
OGRN	GREEN						HEIGHT	
OBLU	BLUE						82.0	
ORGB	RGB							

\*\*The company is constantly developing and improving its products. All descriptions, illustrations, and specifications mentioned present only general particulars and shall not form any part of any contract. The right is reserved to change specifications without prior notice.

\*\*FILL UP ORDERING REFERENCE ACCORDINGLY > example: NAME -     -    -