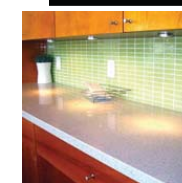
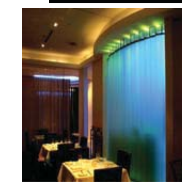
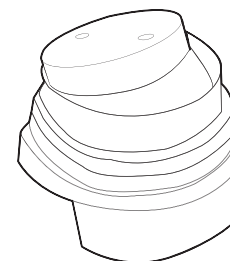
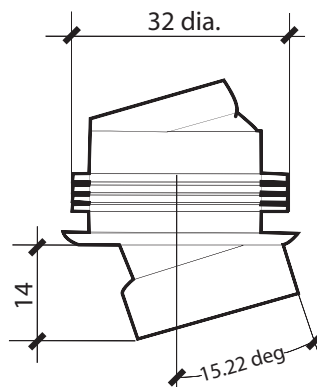
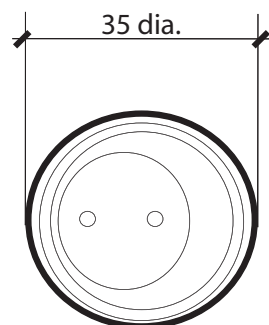




# downlight TIDAL

The Tidal is a single LED mounted on a platform for a uniformed row of LED lights, without restricting itself to a single direction, it allows adjustments to direct light to a single or a range of products.



- 1
  - 2
  - 3
  - 4
  - 5
  - 6
  - 7
- APPLICATION COLOR CODE

tidal -     -    -

SOURCE	LED
LUMENS	50
LAMPLIFE	50,000 HRS
INPUT VOLTAGE	350mA
OPERATING TEMP	-20°~60°
PROTECTION RATING	IP20

COLOR CODE	COLOR	BEAM ANGLE	POWER (WATTS)	PROJECTION DISTANCE	HOUSING DESCRIPTION	GEAR/CONTROLS	SIZE (MM)	SCHEMATIC DIAGRAM
WARM	3000K	10° 20° 30° 50°	1 X 1W	N.A.	HIGH GRADE PLASTIC / AEROSPACE GRADE ALUMINUM	REMOTE DRIVER + DMX DECODER (DMX CONTROLLABLE)	LENGTH	see Appendix
COOL	5500K						32.0 Ø	
ORED	RED						WIDTH	
OGRN	GREEN						HEIGHT	
OBLU	BLUE						14.0	
ORGB	RGB							

\*\*The company is constantly developing and improving its products. All descriptions, illustrations, and specifications mentioned present only general particulars and shall not form any part of any contract. The right is reserved to change specifications w

\*\*FILL UP ORDERING REFERENCE ACCORDINGLY > example: NAME -     -    -