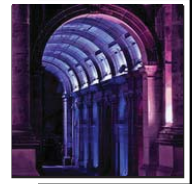
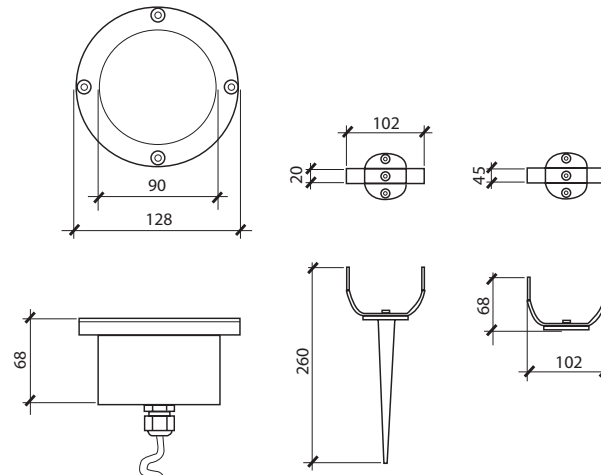




inground **ARROW**

The Arrow is a floodlight for direct ground fixing with spike accessory or wall fixing with bracket accessory. It is suitable for open cast use through high protection rating, energy saving and compact dimensions.



- 1
 - 2
 - 3
 - 4
 - 5
 - 6
 - 7
- APPLICATION COLOR CODE

arrow - - -

SOURCE	LED
LUMENS	150
LAMPLIFE	50,000 HRS
INPUT VOLTAGE	220~240VAC
OPERATING TEMP	-20°~60°
PROTECTION RATING	IP67

COLOR CODE	COLOR	BEAM ANGLE	POWER (WATTS)	PROJECTION DISTANCE	HOUSING DESCRIPTION	GEAR/CONTROLS	SIZE (MM)	SCHEMATIC DIAGRAM
WARM	3000K	10° 30°	3 X 1W	N.A.	STAINLESS STEEL BODY	BUILT-IN DRIVER + DMX DECODER (DMX CONTROLLABLE)	LENGTH	see Appendix
COOL	5500K						128.0 Ø	
ORED	RED						WIDTH	
OGRN	GREEN						HEIGHT	
OBLU	BLUE						68.0	
ORGB	RGB							

**The company is constantly developing and improving its products. All descriptions, illustrations, and specifications mentioned present only general particulars and shall not form any part of any contract. The right is reserved to change specifications without prior notice.

FILL UP ORDERING REFERENCE ACCORDINGLY > example: **NAME - - -