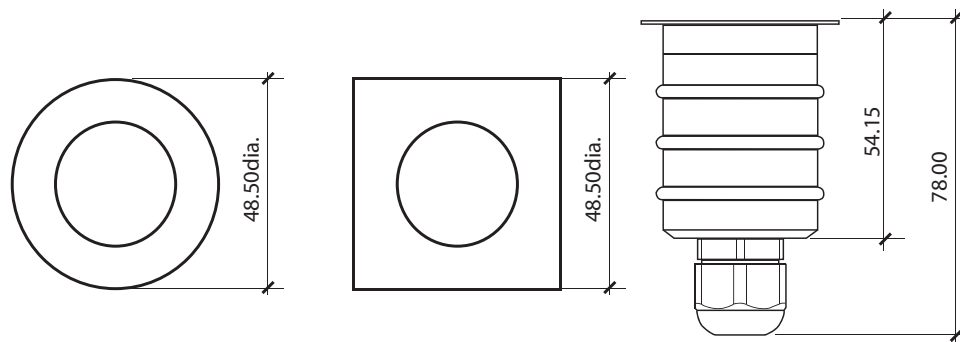




# inground OPEE



The Opee luminaire is a very compact design. It's machined polish stainless steel face-plate with black anodized aluminium housing, stainless steel casing is waterproof and holds a single hi-powered LED. It is designed to allow flexibility for a swap in optics, allowing a host of options.



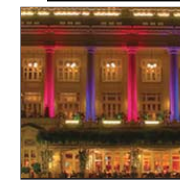
opee -     -    -

<b>SOURCE</b>	LED
<b>LUMENS</b>	150
<b>LAMPLIFE</b>	50,000 HRS
<b>INPUT VOLTAGE</b>	350mA
<b>OPERATING TEMP</b>	-20°~60°
<b>PROTECTION RATING</b>	IP65

COLOR CODE	COLOR	BEAM ANGLE	POWER (WATTS)	PROJECTION DISTANCE	HOUSING DESCRIPTION	GEAR/CONTROLS	SIZE (MM)	SCHEMATIC DIAGRAM
WARM	3000K	10° 30° 50°	3 X 1W	N.A.	ANODIZED ALUMINUM BODY	REMOTE DRIVER + DMX DECODER (DMX CONTROLLABLE)	LENGTH	see Appendix
COOL	5500K						48.5 Ø	
ORED	RED						WIDTH	
OGRN	GREEN						HEIGHT	
OBLU	BLUE						78.0	
ORGB	RGB							

\*\*The company is constantly developing and improving its products. All descriptions, illustrations, and specifications mentioned present only general particulars and shall not form any part of any contract. The right is reserved to change specifications without prior notice.

\*\*FILL UP ORDERING REFERENCE ACCORDINGLY > example: NAME -     -    -



- 1
  - 2
  - 3
  - 4
  - 5
  - 6
  - 7
- APPLICATION COLOR CODE