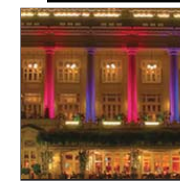
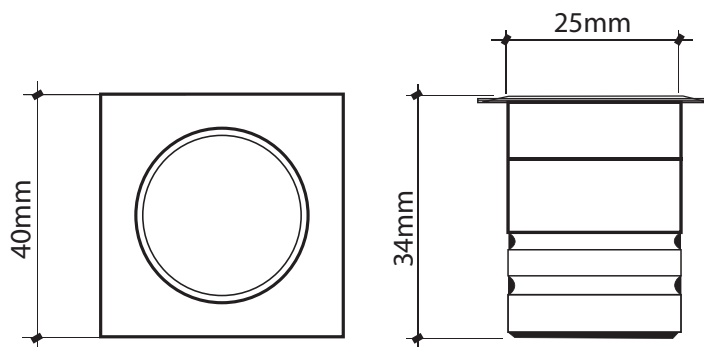




inground ZARAH



The Zarah luminaire has a very compact design. It's machined polish stainless steel face-plate with black anodized aluminium housing, stainless steel casing is waterproof and holds a single hi-powered LED. It is designed to allow flexibility for a swap in optics, allowing a host of options.



- 1
 - 2
 - 3
 - 4
 - 5
 - 6
 - 7
- APPLICATION COLOR CODE

zarah - - -

SOURCE	LED
LUMENS	50~80
LAMPLIFE	50,000 HRS
INPUT VOLTAGE	350mA
OPERATING TEMP	-20°~60°
PROTECTION RATING	IP68

COLOR CODE	COLOR	BEAM ANGLE	POWER (WATTS)	PROJECTION DISTANCE	HOUSING DESCRIPTION	GEAR/CONTROLS	SIZE (MM)	SCHEMATIC DIAGRAM	
WARM	3000K	10° 20° 30° 50°	3 X 1W	N.A.	ANODIZED ALUMINUM BODY	REMOTE DRIVER + DMX DECODER (DMX CONTROLLABLE)	LENGTH	see Appendix	
COOL	5500K						40.0		
ORED	RED						WIDTH		40.0
OGRN	GREEN						HEIGHT		34.0
OBLU	BLUE								
ORGB	RGB								

**The company is constantly developing and improving its products. All descriptions, illustrations, and specifications mentioned present only general particulars and shall not form any part of any contract. The right is reserved to change specifications without prior notice.

**FILL UP ORDERING REFERENCE ACCORDINGLY > example: NAME - - -