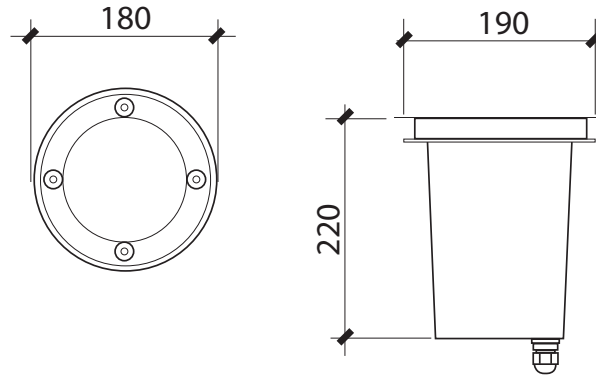




inground ZEN 8

The Zen 8 is a recessed floodlight for drive-over surfaces with recessed box. It is suitable for dynamic light for walkover and drive-over areas and accent lighting.



- 1
 - 2
 - 3
 - 4
 - 5
 - 6
 - 7
- APPLICATION COLOR CODE

zen 8 - - -

SOURCE	LED
LUMENS	400
LAMPLIFE	50,000 HRS
INPUT VOLTAGE	12VAC DC
OPERATING TEMP	-20°~60°
PROTECTION RATING	IP67

COLOR CODE	COLOR	BEAM ANGLE	POWER (WATTS)	PROJECTION DISTANCE	HOUSING DESCRIPTION	GEAR/CONTROLS	SIZE (MM)	SCHEMATIC DIAGRAM
WARM	3000K	10° 30°	8W	<10.0	ANODIZED CAST ALUMINUM BODY	BUILT-IN DRIVER + DMX DECODER (DMX CONTROLLABLE)	LENGTH	see Appendix
COOL	5500K						180.0 Ø	
ORED	RED						WIDTH	
OGRN	GREEN						HEIGHT	
OBLU	BLUE						220.0	
ORGB	RGB							

**The company is constantly developing and improving its products. All descriptions, illustrations, and specifications mentioned present only general particulars and shall not form any part of any contract. The right is reserved to change specifications without prior notice.

**FILL UP ORDERING REFERENCE ACCORDINGLY > example: NAME - - -