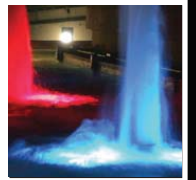
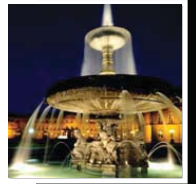
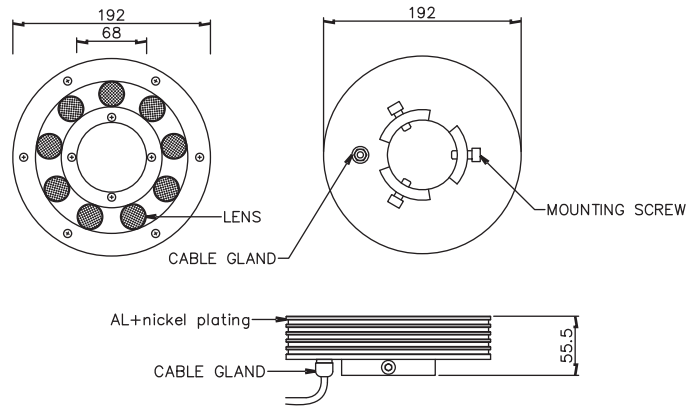




underwater

# ASHER

The Asher is a projector series luminaire which offers a comprehensive choice of projection for indoor, outdoor and underwater lighting. The sleek design of this product makes it resilient to a wide variety of environments.



1  
2  
3  
4  
5  
6  
7  
APPLICATION COLOR CODE

asher -     -    -

SOURCE	LED
LUMENS	1350
LAMPLIFE	50,000 HRS
INPUT VOLTAGE	12/24 VDC
OPERATING TEMP	-20°~60°
PROTECTION RATING	IP68

COLOR CODE	COLOR	BEAM ANGLE	POWER (WATTS)	PROJECTION DISTANCE	HOUSING DESCRIPTION	GEAR/CONTROLS	SIZE (MM)	SCHEMATIC DIAGRAM
WARM	3000K	10° 20° 30°	27W 9 X 3W	<20.0	ANODIZED ALUMINUM BODY	REMOTE DRIVER + DMX DECODER (DMX CONTROLLABLE)	LENGTH	see Appendix
COOL	5500K						192.0Ø	
ORED	RED						WIDTH	
OGRN	GREEN						HEIGHT	55.5
OBLU	BLUE							
ORGB	RGB							

\*\*The company is constantly developing and improving its products. All descriptions, illustrations, and specifications mentioned present only general particulars and shall not form any part of any contract. The right is reserved to change specifications without prior notice.

\*\*FILL UP ORDERING REFERENCE ACCORDINGLY > example: NAME -     -    -