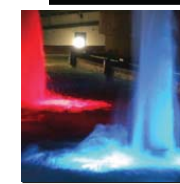
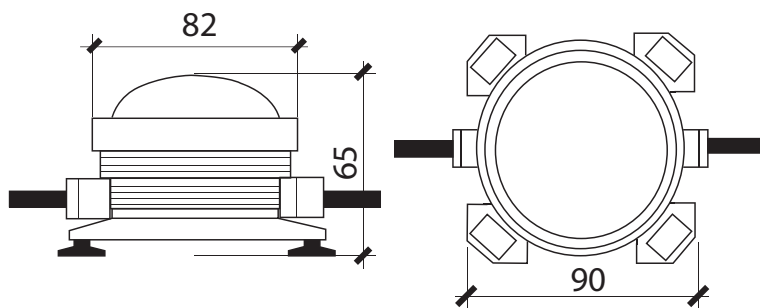




# underwater GAVIN

The Gavin is a specially treated globe surface lamp which lets the illumination evenly distribute on the surface, suitable for decoration lighting and underwater viewing.



gavin -     -    -

SOURCE	LED
LUMENS	500
LAMPLIFE	50,000 HRS
INPUT VOLTAGE	12/24 VDC
OPERATING TEMP	-20°~45°
PROTECTION RATING	IP68

COLOR CODE	COLOR	BEAM ANGLE	POWER (WATTS)	PROJECTION DISTANCE	HOUSING DESCRIPTION	GEAR/CONTROLS	SIZE (MM)	SCHEMATIC DIAGRAM
WARM	3000K	150°	10W	N.A.	ANODIZED ALUMINUM BODY	REMOTE DRIVER + DMX DECODER (DMX CONTROLLABLE)	LENGTH	see Appendix
COOL	5500K						82.0Ø	
ORED	RED						WIDTH	
OGRN	GREEN						HEIGHT	
OBLU	BLUE						65.0	
ORGB	RGB							

\*\*The company is constantly developing and improving its products. All descriptions, illustrations, and specifications mentioned present only general particulars and shall not form any part of any contract. The right is reserved to change specifications without prior notice.

\*\*FILL UP ORDERING REFERENCE ACCORDINGLY > example: NAME -     -    -