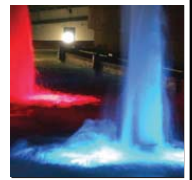
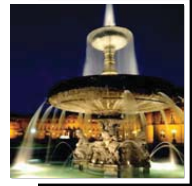
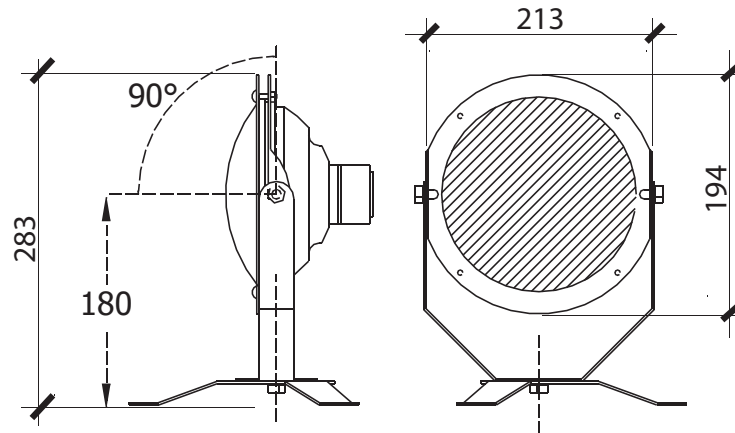




# underwater SHIVA

The Shiva is a stainless steel submersible luminaire designed to be operated underwater. It is suitable for underwater and water features.



- 1
- 2
- 3
- 4
- 5
- 6
- 7

APPLICATION COLOR CODE

shiva -     -    -

SOURCE	LED
LUMENS	1100
LAMPLIFE	50,000 HRS
INPUT VOLTAGE	110~240 VDC
OPERATING TEMP	-20°~60°
PROTECTION RATING	IP68

COLOR CODE	COLOR	BEAM ANGLE	POWER (WATTS)	PROJECTION DISTANCE	HOUSING DESCRIPTION	GEAR/CONTROLS	SIZE (MM)	SCHEMATIC DIAGRAM
WARM	3000K	10° 30° 50°	22W	N.A.	STAINLESS STEEL BODY	REMOTE DRIVER + DMX DECODER (DMX CONTROLLABLE)	LENGTH	see Appendix
COOL	5500K						213.0	
ORED	RED						WIDTH	
OGRN	GREEN						194.0	
OBLU	BLUE						HEIGHT	
ORGB	RGB						283.0	

\*\*The company is constantly developing and improving its products. All descriptions, illustrations, and specifications mentioned present only general particulars and shall not form any part of any contract. The right is reserved to change specifications without prior notice.

\*\*FILL UP ORDERING REFERENCE ACCORDINGLY > example: NAME -     -    -